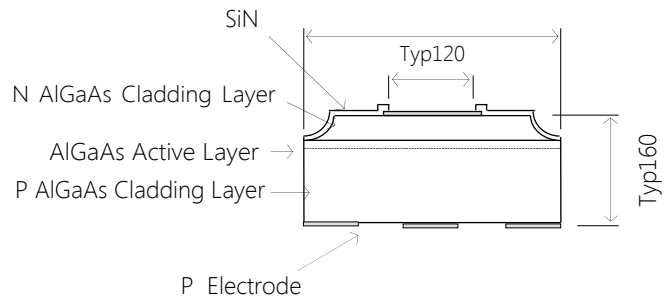
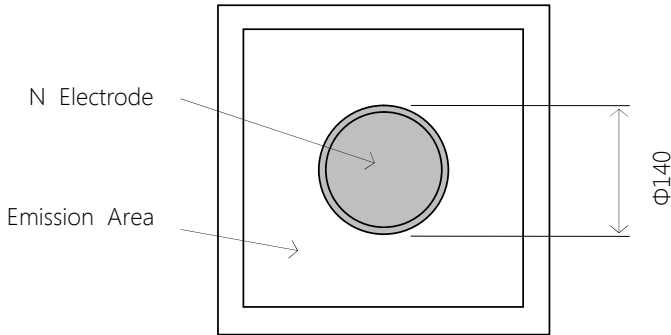


| Radiation           | Type   | Electrodes   |
|---------------------|--------|--------------|
| Visible Red Emitter | AlGaAs | N(Cathode)up |

Unit:um

Typ280



### Physical Characteristics

|                              |                                  |
|------------------------------|----------------------------------|
| Material: AlGaAs             | Bond Pad Size: 140um diameter    |
| Junction Size: 280um x 280um | Anode Metalization: Gold Alloy   |
| Thickness: 160um             | Cathode Metalization: Gold Alloy |

### Electrical Characteristics (Typical Values)

| ITEMS                     | SYMBOL         | CONDITIONS           | MIN | TYP | MAX | UNIT |
|---------------------------|----------------|----------------------|-----|-----|-----|------|
| Forward Voltage           | V <sub>f</sub> | I <sub>f</sub> =20mA | --  | --  | 2.0 | V    |
| Reverse Voltage           | V <sub>r</sub> | I <sub>r</sub> =10uA | 5   | --  | --  | V    |
| Radiant Power*            | Φ <sub>e</sub> | I <sub>f</sub> =20mA | 1.0 | --  | --  | mW   |
| Peak Wavelength           | λ <sub>p</sub> | I <sub>f</sub> =20mA | --  | 660 | --  | nm   |
| Spectral Bandwidth at 50% | Δλ             | I <sub>f</sub> =20mA | --  | 30  | --  | nm   |

\* LED chip is mounted on TO-18 gold header without resin coating.

### Absolute Maximum Ratings (Typical Values)

Continuous Maximum Forward Current: 50mA (DC)  
 Reverse Voltage: 5V (I<sub>r</sub>=10uA)  
 Storage Temperature  
 while on mylar membrane: 0 to 40 °C  
 after removal from mylar membrane: -30 to 100 °C



We reserve the right to make changes to improve technical design and may do so without further notice. Parameters can vary in different applications. All operating parameters must be validated for each customer application by the customer.

2014-04-24