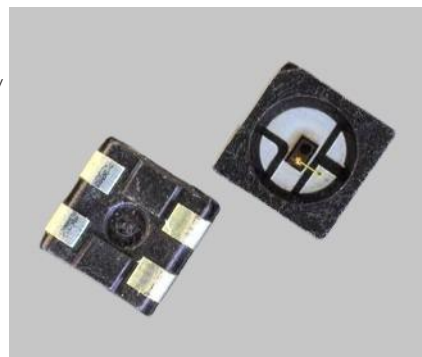


Peak Sensitivity Wavelength: 650nm

The 650nm Point Source Series is designed for applications requiring high output and precise optical / mechanical axis alignment. It is packaged in a 2.1mm square SMD black package with clear encapsulation.



FEATURES

- > 2.1mm square SMD package
- > Wide Beam Angle
- > Emitting Window Diameter Φ 170 μ m

APPLICATIONS

- > Optical Switches / Security Systems
- > Linear & Rotary Encoder
- > Remote Controls / Robotics

Absolute Maximum Ratings (Ta=25°C)



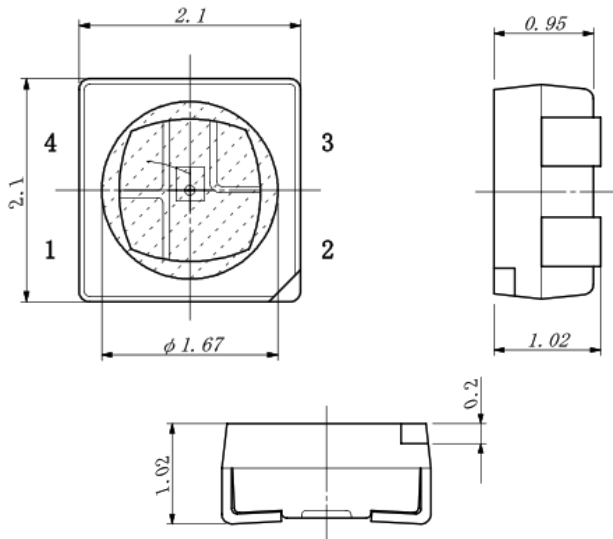
ITEMS	SYMBOL	RATINGS	UNIT
Forward Current	IF	80	mA
Reverse Voltage	VR	3	V
Operating Temperature Range	Topr	-40 ~ +85	°C
Storage Temperature Range	Tstg	-40 ~ +100	°C

Electrical & Optical Characteristics (Ta = 25°C)

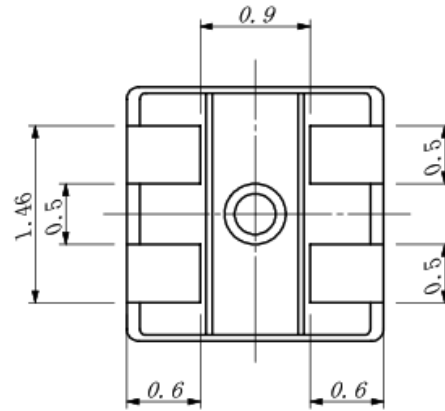
ITEMS	SYMBOL	CONDITIONS	MIN	TYP	MAX	UNIT
Power Output	PO	IF=20mA	--	3.89	--	mW
Forward Voltage	VF	IF=20mA	--	1.94	--	V
Reverse Current	IR	VR=5V	--	--	100	μ A
Peak Emission Wavelength	λ_p	IF=20mA	--	650	--	nm
Spectral Line Half Width	$\Delta\lambda$	IF=20mA	--	19	--	nm
Half Intensity Beam Angle	Θ	IF=20mA	--	+/-119	--	deg

Note: Care is required during assembly and when handling the component so as to not damage the surface of the LED. This may affect the appearance and optical performance.

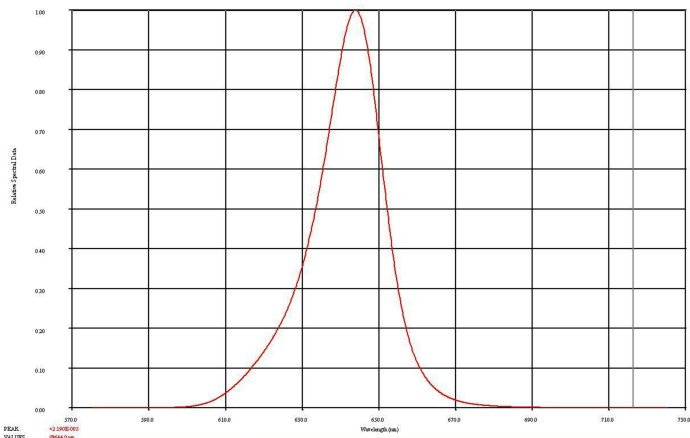
Top Side



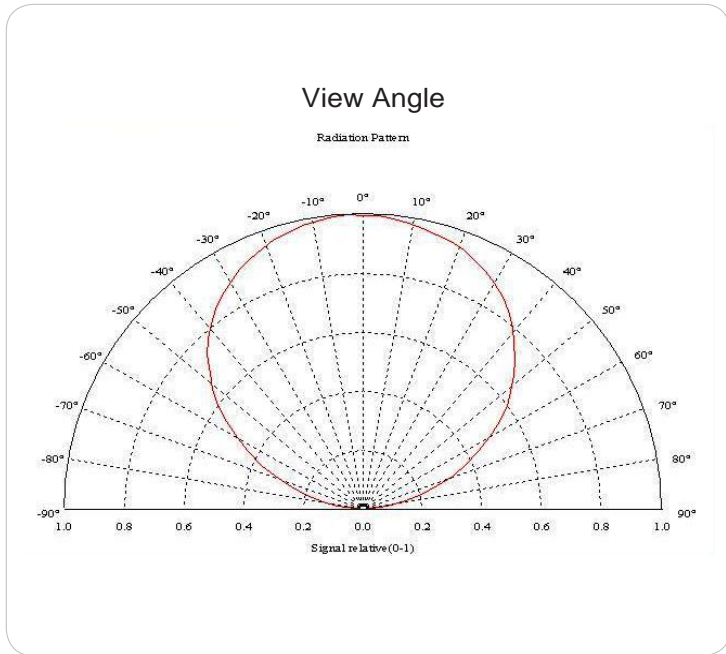
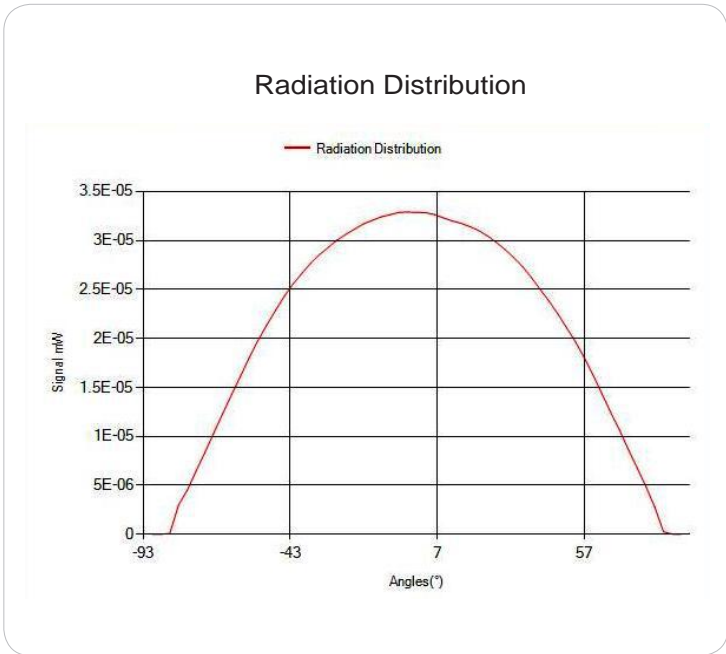
Bottom Side



Spectral Response



Unit: mm, Tolerance: ± 0.2



The information contained herein is subject to change without notice.

2026-03-27