

Peak Emission Wavelength: 810nm

The 810nm IR emitter series is designed for applications requiring high output and precise optical / mechanical axis alignment. Custom package solutions and sorting are available.

FEATURES

- > Ceramic Dome Surface Mount 3.5x2.2x1.91
- > High Reliability
- > High Output Power
- > Narrow Beam Angle

APPLICATIONS

- > Optical Switches / Security Systems
- > Bar-code Reader
- > Fiber Optical Communications



Absolute Maximum Ratings (Ta=25°C)

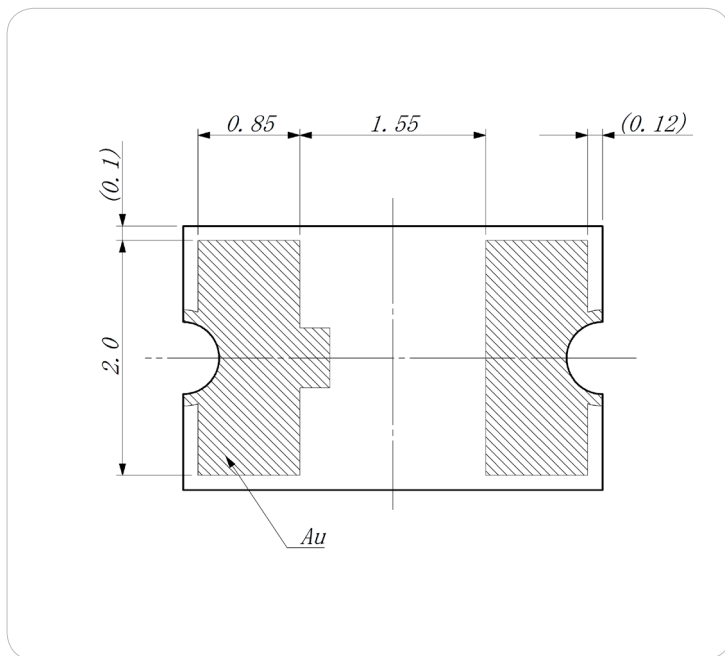
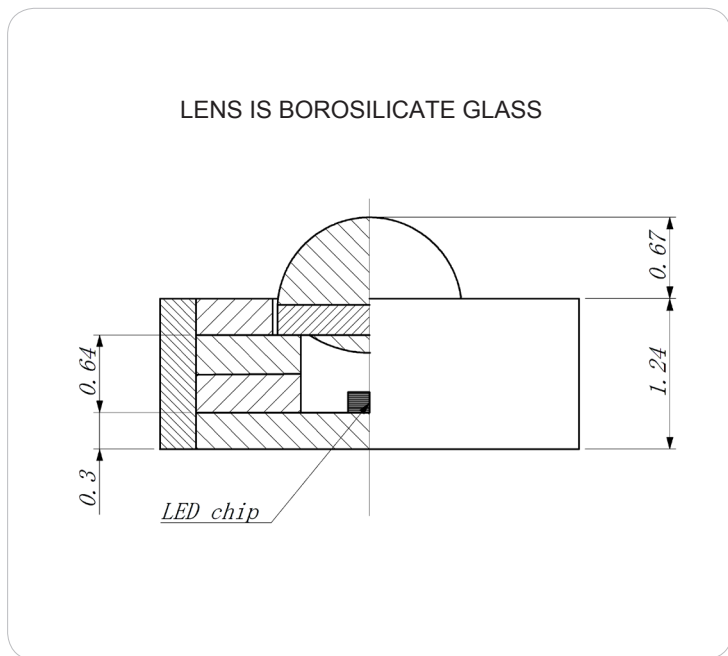
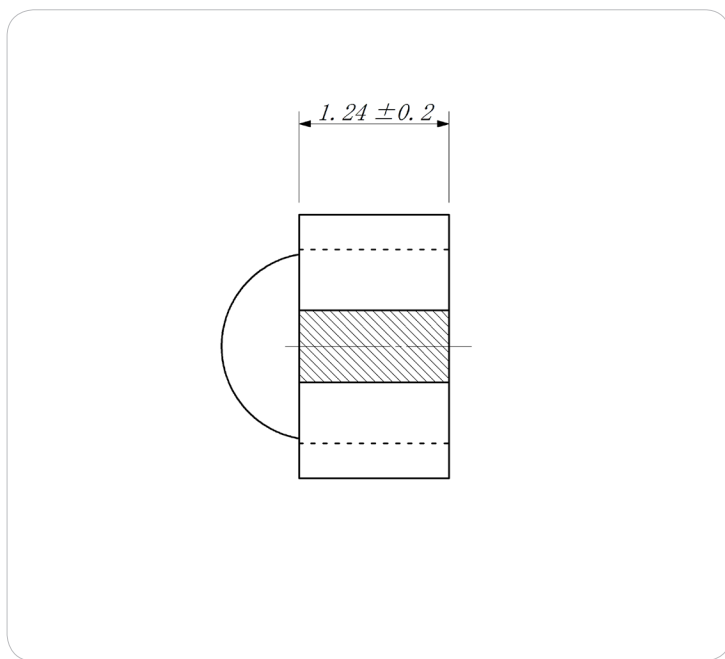
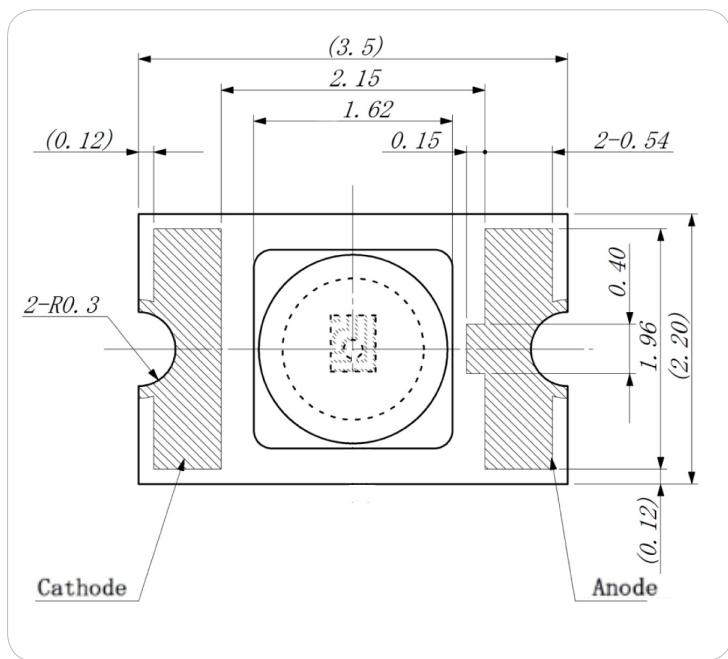


ITEMS	SYMBOL	RATINGS	UNIT
Forward Current	IF	80	mA
Forward Current (Pulse)*1	IFP	0.5	A
Reverse Voltage	VR	5	V
Power Dissipation	PD	160	mW
Operating Temperature Range	Topr	-20 ~ +80	°C
Storage Temperature Range	Tstg	-30 ~ +100	°C
Junction Temperature	Tj	100	°C

*1: Tw=10µsec, T=10msec.

Electrical & Optical Characteristics (Ta = 25°C)

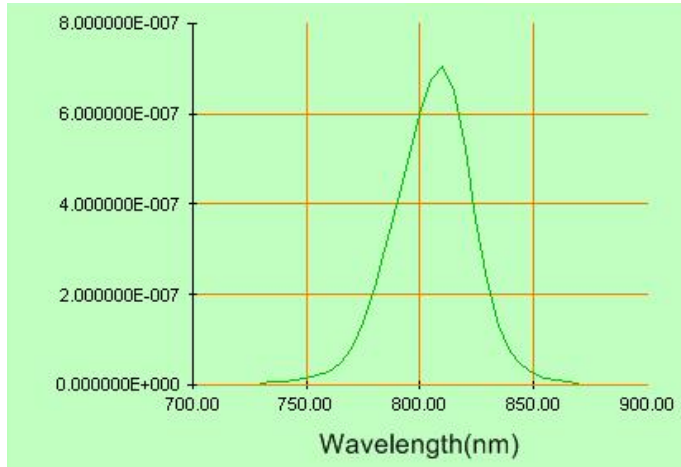
ITEMS	SYMBOL	CONDITIONS	MIN	TYP	MAX	UNIT
Power Output	PO	IF=50mA	--	4.5	--	mW
Forward Voltage	VF	IF=50mA	--	1.55	--	V
Reverse Current	IR	VR=5V	--	--	100	µA
Peak Emission Wavelength	λ_p	IF=50mA	--	810	--	nm
Spectral Line Half Width	$\Delta\lambda$	IF=50mA	--	38	--	nm
Half Intensity Beam Angle	Θ	IF=50mA	--	±10	--	deg



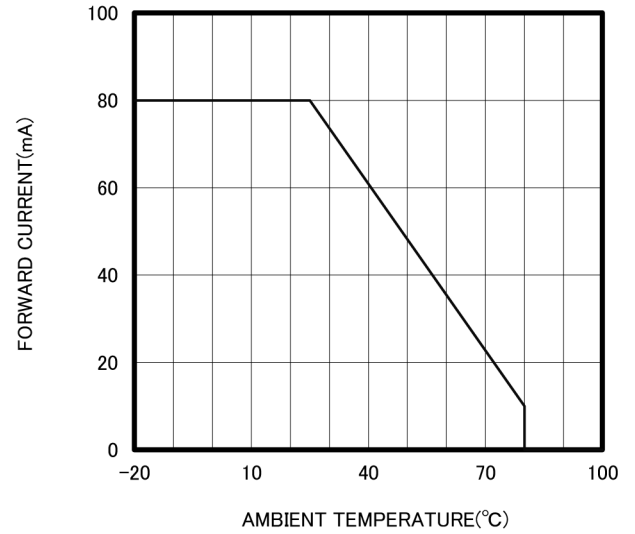
Unit: mm, Tolerance: ±0.2

2019-04-04

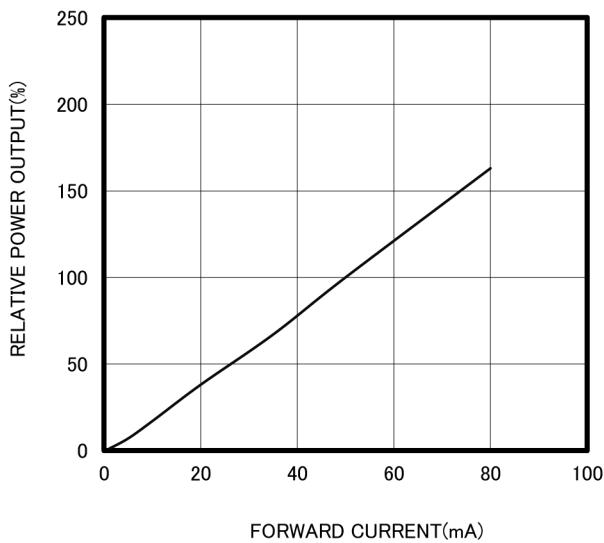
SPECTRAL OUTPUT



THERMAL DERATING CURVE



RELATIVE POWER vs FORWARD CURRENT



RADIATION PATTERN

