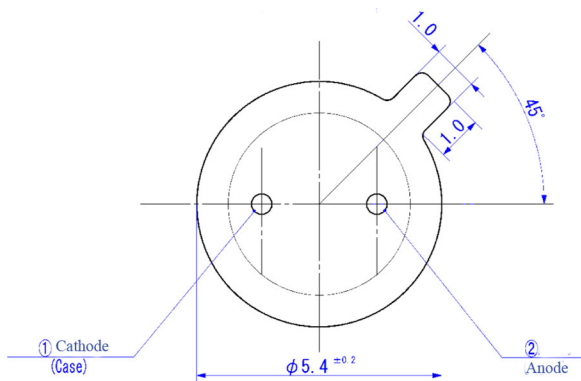
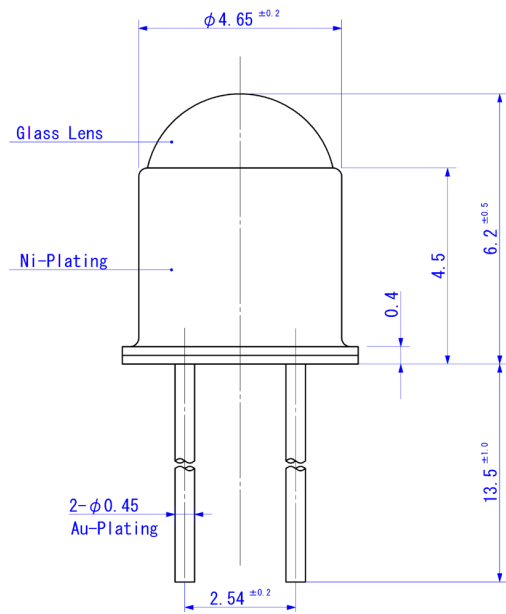


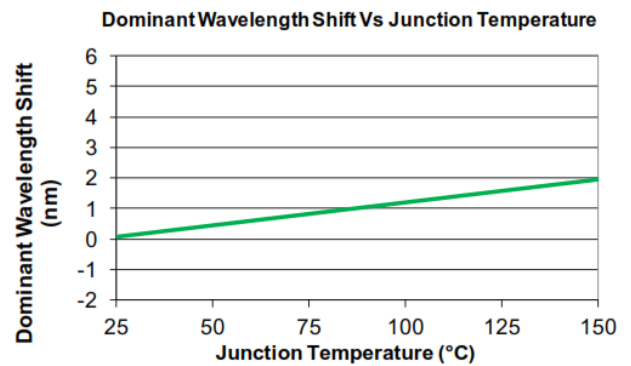
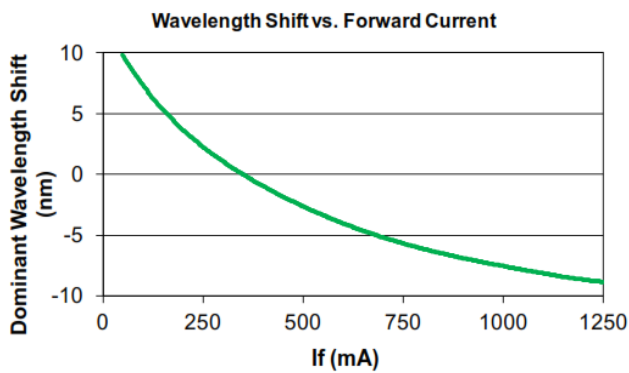
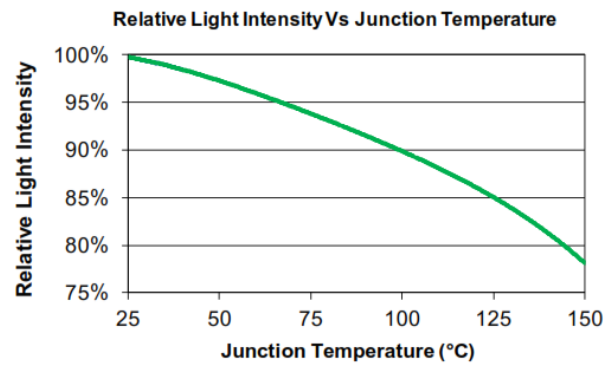
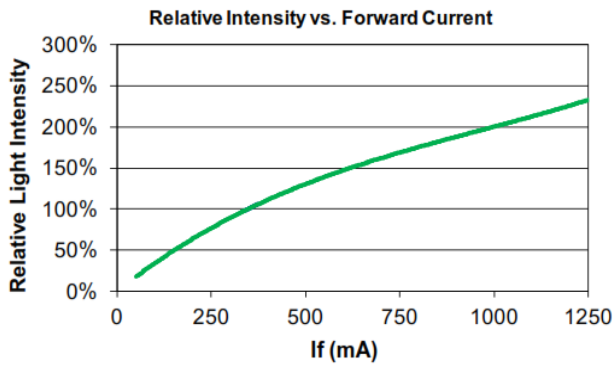


Package Dimensions

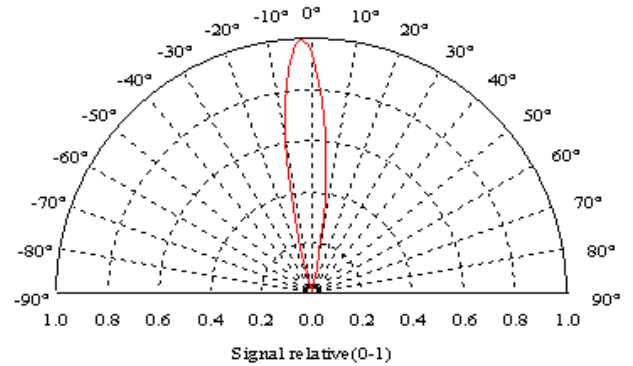
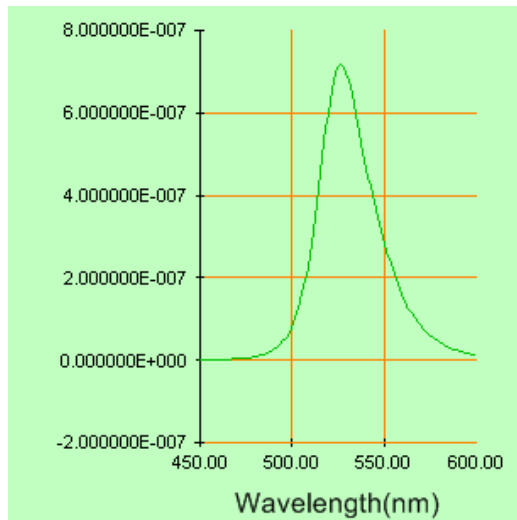
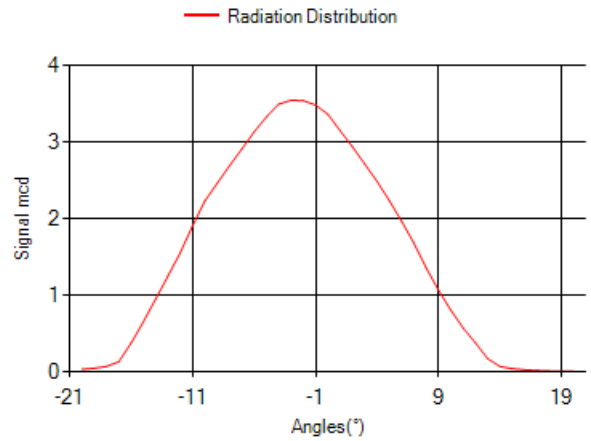
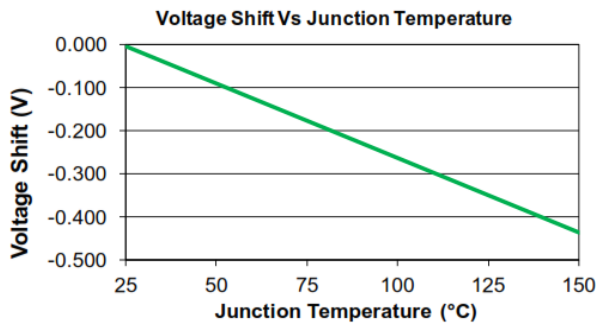


Unit: mm, Tolerance:  $\pm 0.2$

Characteristic Curves (Ta = 25°C)



Characteristic Curves (Ta = 25°C)



The information contained herein is subject to change without notice.

2015-04-09