

Peak Sensitivity Wavelength: 880nm

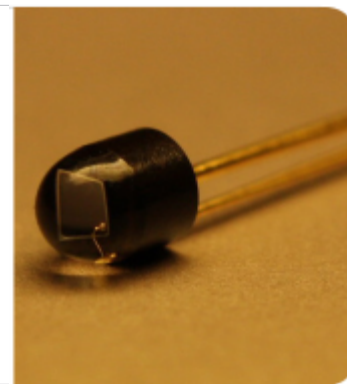
The MTD8600M3B is a photo transistor in a 3mm ceramic package. It is well suited for high reliability and high speed applications.

FEATURES

- > Compact
- > Wide Angular Response
- > High Reliability in Demanding Environments

APPLICATIONS

- > Optical Switches
- > Optical Sensors
- > Optical Detectors



Absolute Maximum Ratings (Ta=25°C)



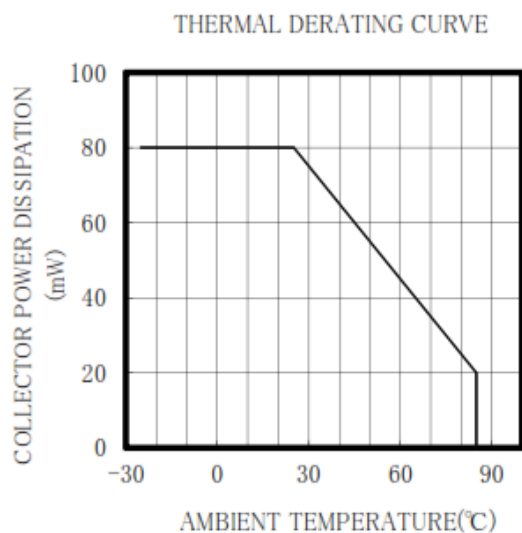
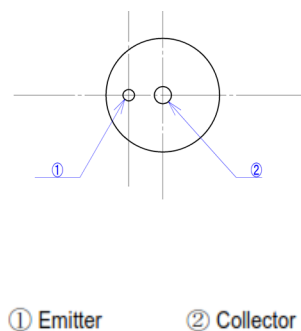
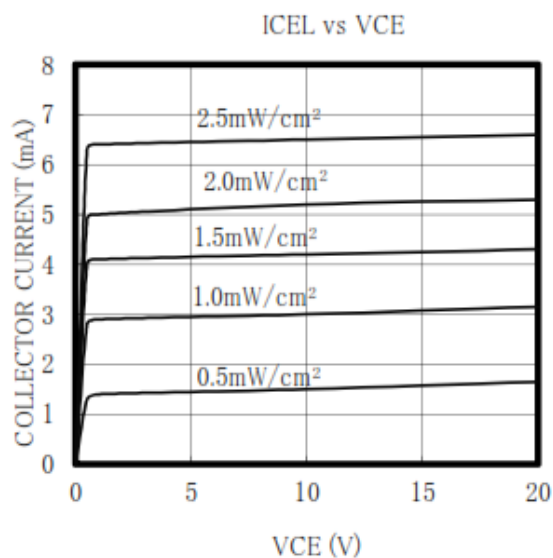
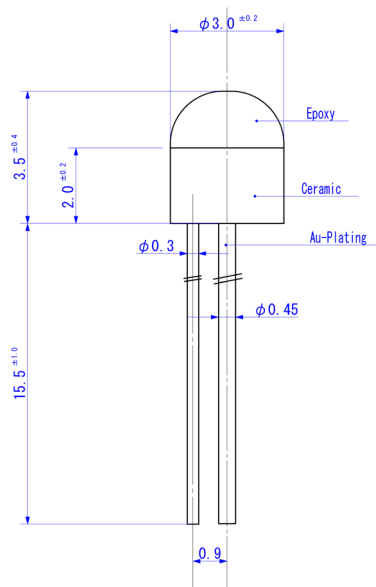
ITEMS	SYMBOL	RATINGS	UNIT
Collector-Emitter Voltage	V _{ceo}	20	V
Emitter-Collector Voltage	V _{eco}	5	V
Collector Current	I _c	30	mA
Collector Power Dissipation	P _c	80	mW
Operating Temperature	T _{opr}	-25 to 85	°C
Storage Temperature	T _{stg}	-30 to 100	°C
Junction Temperature	T _j	100	°C
Lead Soldering Temperature *1	T _{ls}	260	°C

*1: Time 5 Sec max, Position: Up to 3mm from the body.

Electrical & Optical Characteristics (Ta = 25°C)

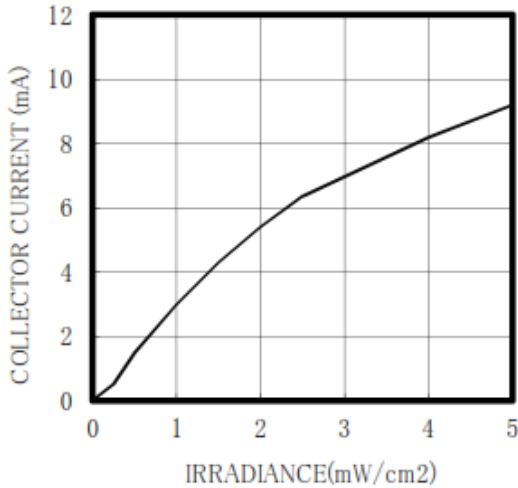
ITEMS	SYMBOL	CONDITIONS	MIN	TYP	MAX	UNIT
Collector-Emitter Current	I _{cel}	V _{ce} =10V, E _e =0.5mw/cm ² *	--	1.5	--	mA
Collector Dark Current	I _{ceo}	V _{ce} =10V, E _e =0mw/cm ² *	--	--	100	nA
C-E Saturation Voltage	V _{CE(sat)}	I _c =0.2mA, E _e =5mw/cm ²	--	0.2	--	V
Spectral Sensitivity	λ			400 - 1100		nm
Peak Sensitivity Wavelength	λ _p		--	880	--	nm
Switching Time (Rise Time)	T _r	R _L =100Ω, V _{ce} =5V, I _c =0.5mA	--	10	--	μs
Switching Time (Fall Time)	T _f	R _L =100Ω, V _{ce} =5V, I _c =0.5mA	--	10	--	μs
Angular Response	θ		--	+/-80	--	deg

* Color Temperature=2870°K Standard Tungsten Lamp

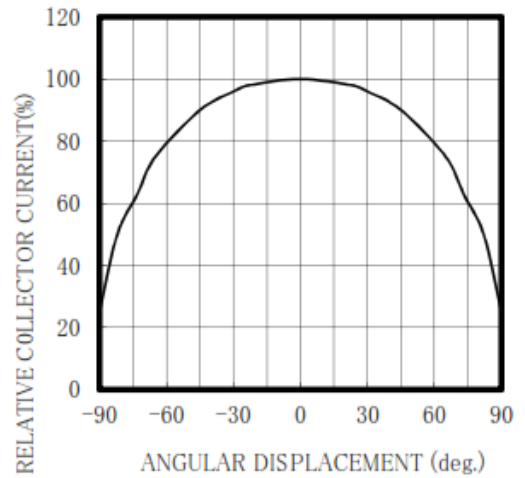


Unit: mm, Tolerance: ± 0.2

ICEL vs IRRADIANCE



ANGULAR DISPLACEMENT



RELATIVE RESPONSE vs λ

