

Peak Sensitivity Wavelength: 950nm

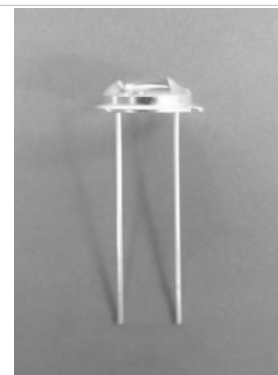
The MTD5032M8 is a photo diode in a metal can package. It is well suited for high reliability and high speed applications.

FEATURES

- > Ultra High Speed
- > Low Dark Current / Metal Can Package
- > Wide Angular Response
- > High Reliability

APPLICATIONS

- > Optical Switches
- > Edge Sensing
- > Smoke Detectors



Absolute Maximum Ratings (Ta=25°C)



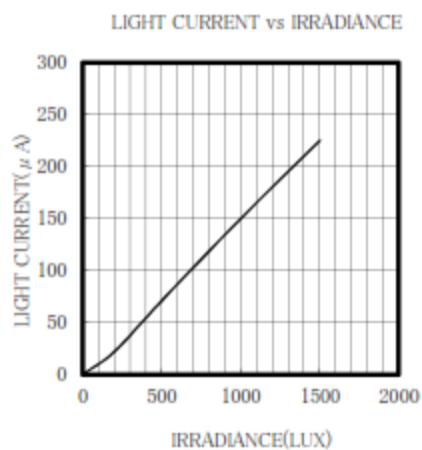
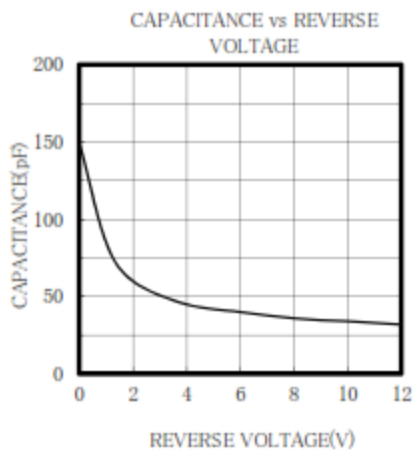
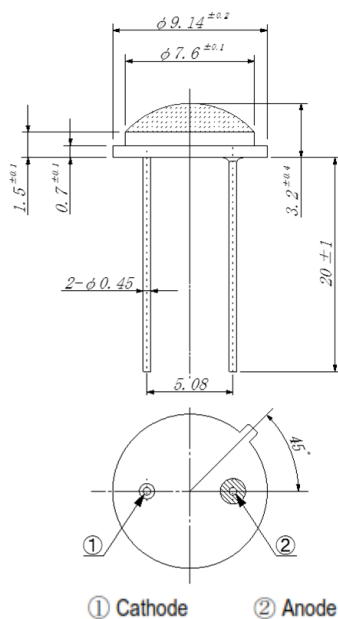
| ITEMS | SYMBOL | RATINGS | UNIT |
|------------------------------|--------|------------|------|
| Reverse Voltage | VR | 30 | V |
| Power Dissipation | PD | 100 | mW |
| Operating Temperature Range | Topr | -25 ~ +100 | °C |
| Storage Temperature Range | Tstg | -30 ~ +125 | °C |
| Lead Soldering Temperature*1 | Tls | 260 | °C |

*1: Time 5 Sec max, Position: Up to 3mm from the body.

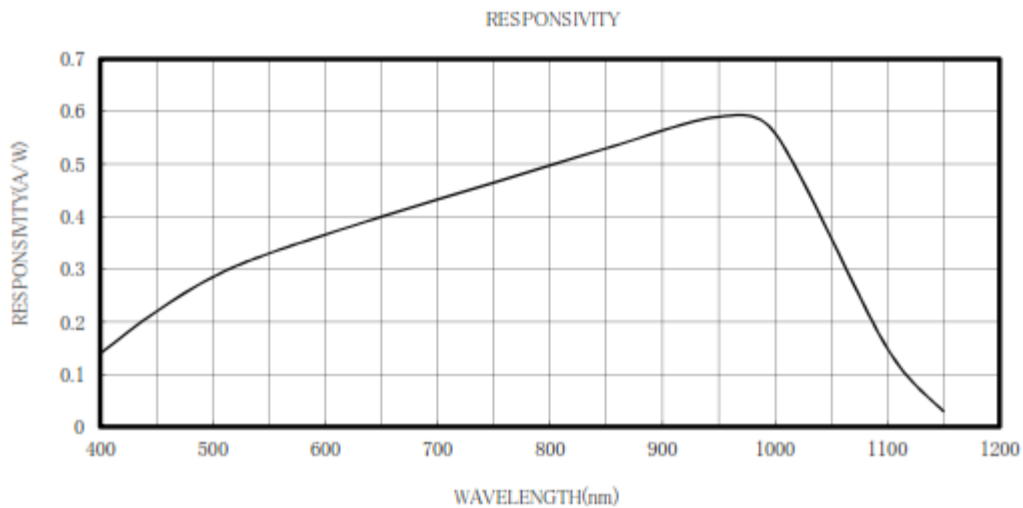
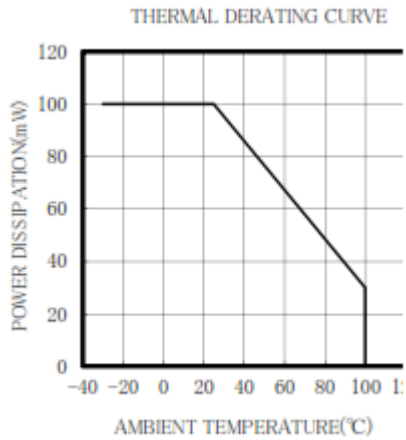
Electrical & Optical Characteristics (Ta = 25°C)

| ITEMS | SYMBOL | CONDITIONS | MIN | TYP | MAX | UNIT |
|-----------------------------|--------|------------------|-----|----------|-----|------|
| Light Current | IL | VR=10V,L=1000Lux | -- | 150 | -- | μA |
| Dark Current | ID | VR=10V | -- | -- | 10 | nA |
| Spectral Sensitivity | λ | -- | -- | 400~1100 | -- | nm |
| Peak Sensitivity Wavelength | λp | -- | -- | 950 | -- | nm |
| Switching Time (Rise Time) | Tr | RL=50Ω, Vr=0V | -- | -- | 100 | nS |
| Switching Time (Fall Time) | Tf | RL=50Ω, Vr=0V | -- | -- | 100 | nS |
| Junction Capacitance | Cj | VR=10V | -- | -- | 50 | pF |

* Color Temperature=2870°K Standard Tungsten Lamp



Unit: mm, Tolerance: ± 0.2



The information contained herein is subject to change without notice.

2021-02-16