

### Peak Sensitivity Wavelength: 950nm

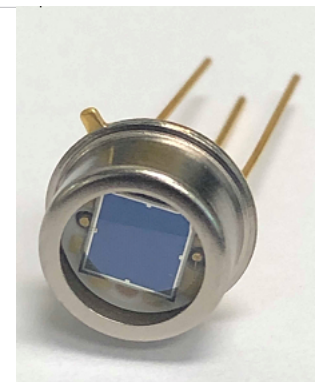
The MT03-067 is a square (3.87 x 3.87mm) 15.0mm<sup>2</sup> active area Photodiode in a hermetic TO-5 metal can 3 pin package. It is well suited for applications requiring high sensitivity applications.

#### FEATURES

- > Ultra Low Noise
- > High Shunt Resistance
- > Wide Dynamic Range
- > PD die positional tolerance: +/-0.1mm

#### APPLICATIONS

- > Colorimeters
- > Photometers
- > Spectroscopy Equipment
- > Fluorescence



### Absolute Maximum Ratings



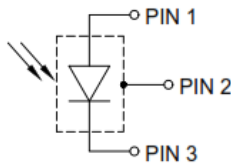
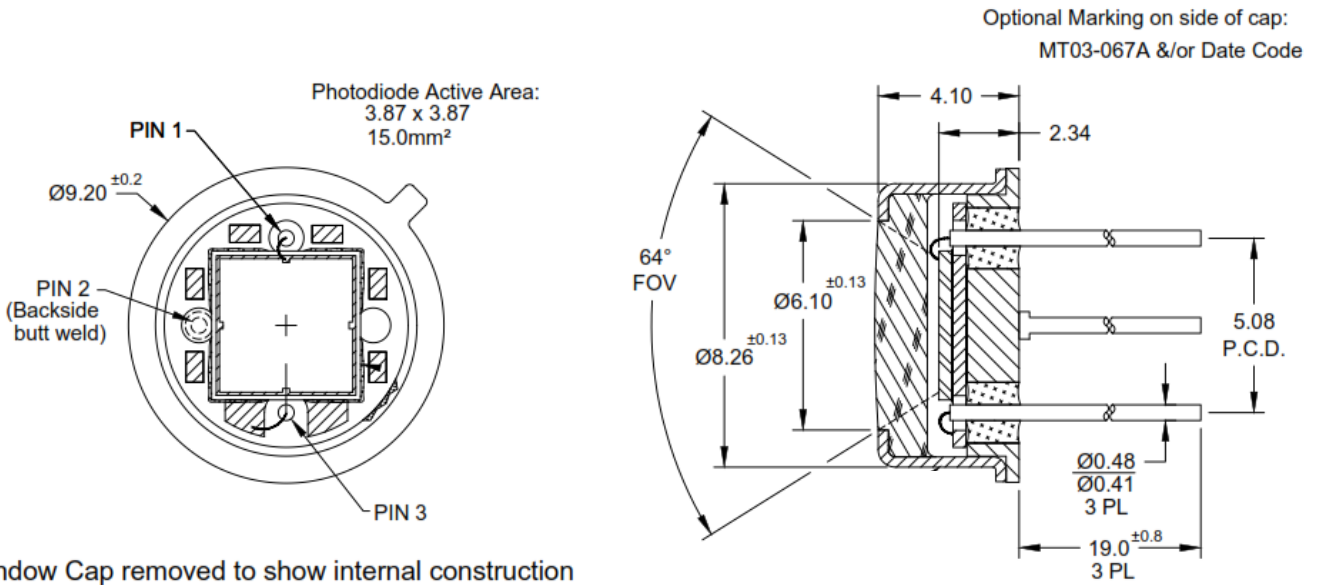
ITEMS	SYMBOL	RATINGS	UNIT
Reverse Voltage	Vr	50	V
Operating Temperature Range	Topt	-40 ~ +100	°C
Storage Temperature Range	Tstg	-55 ~ +125	°C
Lead Soldering Temperature*1	Tls	260	°C

\*1: Time 5 Sec max, Position: Up to 3mm from the body.

### Electrical & Optical Characteristics (Ta = 25°C)

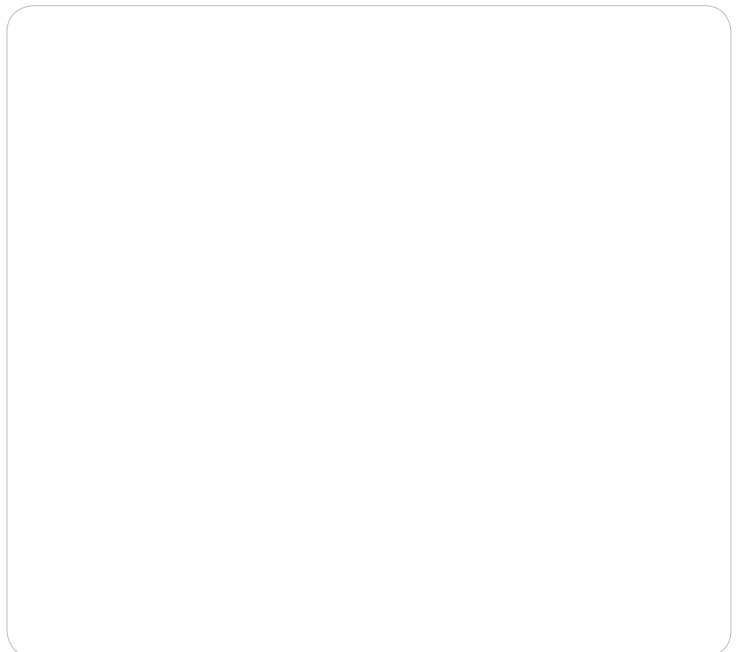
ITEMS	SYMBOL	CONDITIONS	MIN	TYP	MAX	UNIT
Forward Voltage	Vf	IF=2mA	--	--	0.7	V
Breakdown Voltage	Vb	IR=10uA	50	--	--	V
Dark Current	Id	VR=10V	--	0.2	1.0	nA
Spectral Sensitivity	λ	--	--	250~1100	--	nm
Peak Sensitivity Wavelength	λp	--	950	--	--	nm
Responsivity	R	VR=0V, λ=365nm	0.18	0.22	--	A/W
Responsivity	R	VR=0V, λ=633nm	--	0.40	--	A/W
Responsivity	R	VR=0V, λ=850nm	--	0.53	--	A/W
Response Time @ 635nm	Tr	RL=50Ω, Vr=5V	--	50	--	nS
Junction Cap[acitance	Cj	at 1MHz, V=0V	--	230	--	pF
Junction Capacitance	Cj	at 1MHz, V=5V	--	70	80	pF
Shunt Resistance	Rsh	Vr=10mV	500	800	--	mΩ

TO-5 Package Dimensions (3 pins)

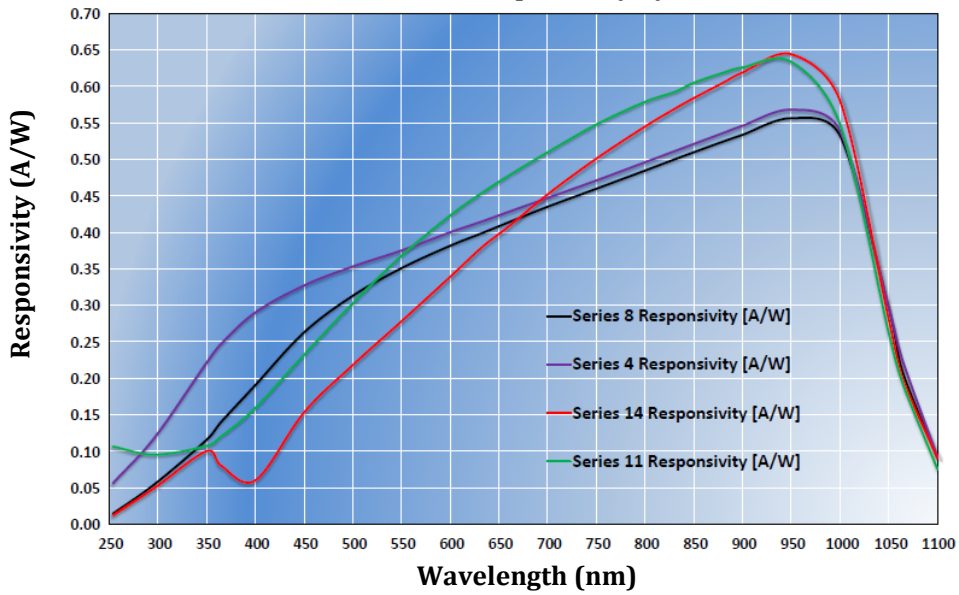


Notes:

- 1. Die attach PD chip to center of header base within ±0.2mm.



**Photodiode Responsivity by Series**



The information contained herein is subject to change without notice.

2024-05-20