

Enhanced Sensitivity Wavelength: 365nm

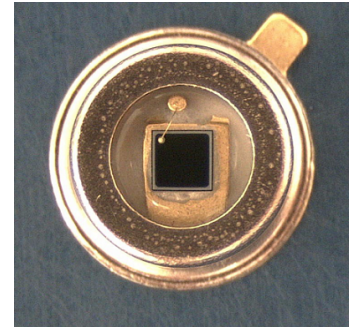
The MT03-023 is a 1.2mm² active area Photodiode in a Isolated hermetic TO-46 metal can package. specifically designed for use @365nm or Blue/Green applications requiring high signal and low noise.

FEATURES

- >Ultra low noise
- >High Shunt Resistance
- >Wide Dynamic Range
- > 365nm & Blue/Green Enhanced

APPLICATIONS

- >Color Meter
- >Currency Authentication
- >Spectroscopy Equipment
- >Fluorescence



Absolute Maximum Ratings



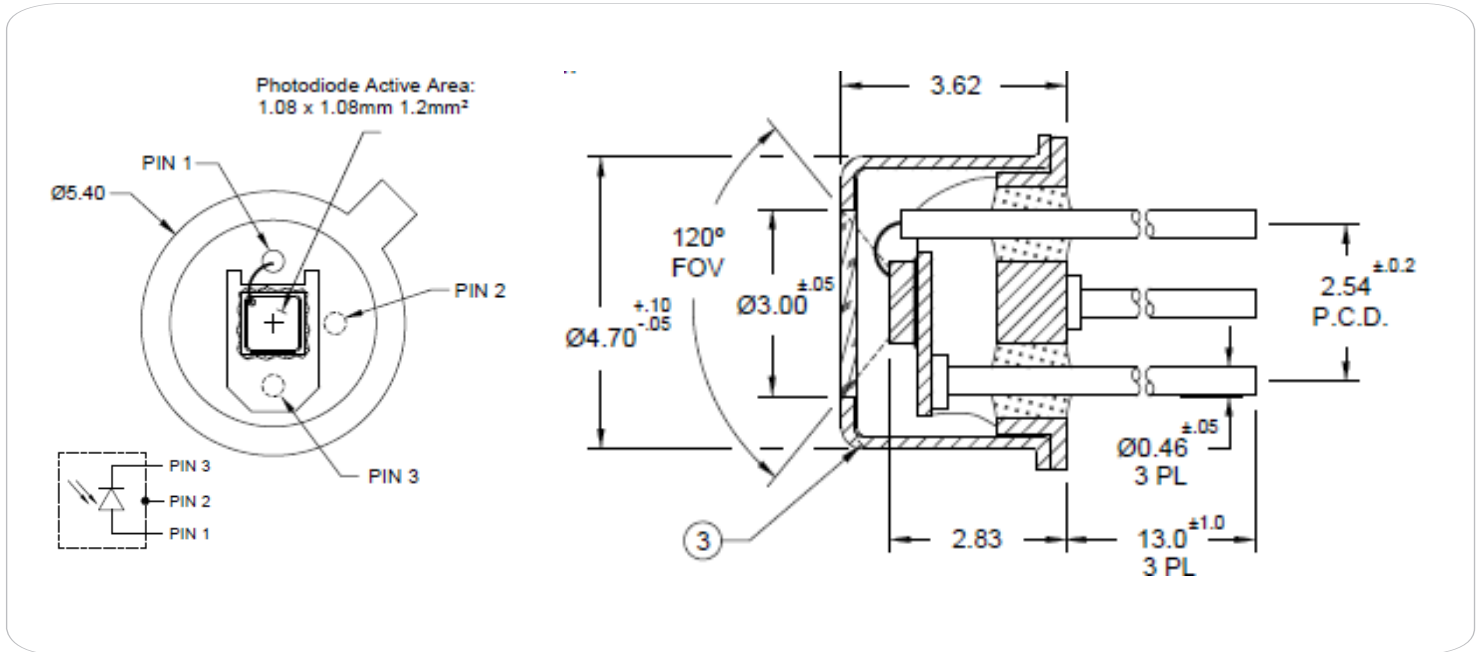
ITEMS	SYMBOL	RATINGS	UNIT
Reverse Voltage	VR	50	V
Operating Temperature Range	Topr	-40~ +100	°C
Storage Temperature Range	Tstg	-55~ +125	°C
Lead Soldering Temperature*1	Tls	260	°C

*1: Time 5 Sec max, Position: Up to 3mm from the body.

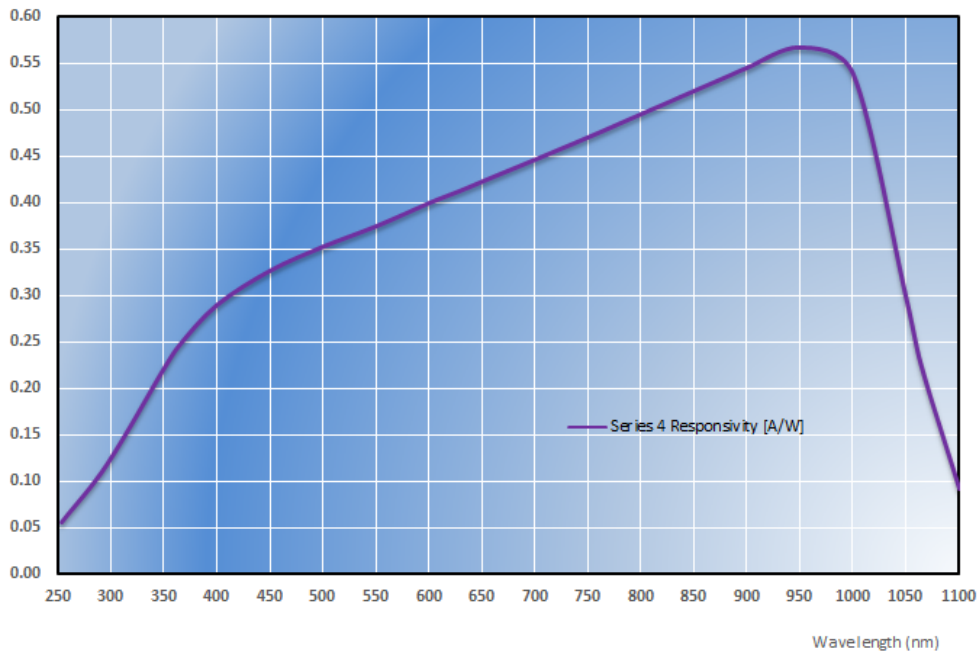
Electrical & Optical Characteristics (Ta = 23°C)

ITEMS	SYMBOL	CONDITIONS	MIN	TYP	MAX	UNIT
Dark Current	ID	Vr=5V	--	0.2	1.0	nA
Forward Voltage	Vf	If=2mA	--	--	0.8	V
Breakdown Voltage Spectral	Vb	Ir=10uA	30	--	--	V
Sensitivity	λ	--	--	250-1100	--	nm
Peak Sensitivity Wavelength	λ_p	--	--	950	--	nm
Responsivity	Rt	Vr=0V, λ =365nm	0.18	0.22	--	A/W
Responsivity	Rt	Vr=0V, λ =633nm	--	0.38	--	A/W
Response Time 365	Tr	Vr=0V, RL=1k Ω	--	100	--	nS
Junction Capacitance	Cj	at 1MHz, Vr=0V	--	20	--	pF
Junction Capacitance	Cj	at 1MHz, Vr=5V	--	6	8	pF
Shunt Resistance	Rsh	Vr=10mV	--	800	--	M Ω

Device Dimensions



Marktech Photodiode Responsivity Series 4 [A/W]



The information contained herein is subject to change without notice.

2017-06-29